

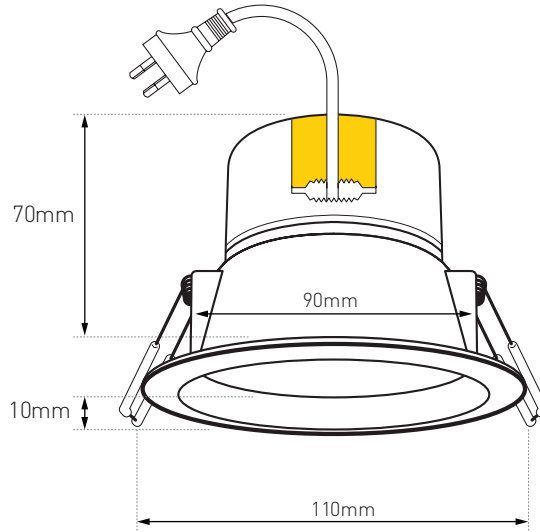
# HPM Smart LED Downlight

## Instruction Sheet

Cat.No. **DLI90BTWE, REMOTEBDL**



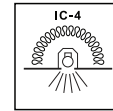
Control via HPM Connect App and Remote Control



Dimmable through App and Remote Control



Class II construction




IC - 4 Insulation Rating



IC - F Insulation Rating

**Please read carefully:** Read through these instructions completely before commencing installation. Retain for future use. This product should be installed by a licensed electrical contractor or similarly qualified person.

### 1 Specifications

Cat. No.	DLI90BTWE
Fascia Colour	White
Nominal Supply Voltage	230 - 240 V a.c. 50 Hz
Lumen Range	3000K - 690 lm to 5000K - 710 lm
Colour Temperature Range	3000 K (Warm White) to 5000 K (Natural White) <b>(Changeable through App only)</b>
Input Power	6.5 W
Power Factor	0.5
Standby Power	0.5 W
Surge Rating	2500 V
Efficacy	113 lm/W Max.
Ripple Frequency Resistant	Yes
Colour Rendering Index (CRI)	80+
Beam Angle	100°
Ceiling Cut-out Size	Ø 90 mm
Fascia Size	Ø 110 mm
Depth into Ceiling	70 mm
Lifespan (@25°C ambient free air)	35,000 hrs
Dimming	Dimmable with HPM Connect App and Remote Control  (Not compatible with external dimmer)
Dimming Range	5% to 100%
Max. No of device per Mesh	128 max
Range for Individual Lamp	20 m (Indoors) This range may be reduced by obstruction like a brick / concrete wall.
IP Rating	IP44 (Front Face)
Warranty	3 Years

Cat. No.	REMOTEBDL (Remote is sold separately)
Features	<ul style="list-style-type: none"> <li>■ Max.100 Downlights per Remote Control</li> <li>■ 2 x AAA Batteries (Not Included)</li> <li>■ Wall fixing Bracket included.</li> </ul>
Functions	<ul style="list-style-type: none"> <li>■ Switch ON/OFF</li> <li>■ Dimming (20% increments and 20% minimum)</li> </ul>

## 2 Pairing the Downlight / Remote control using HPM Connect App

Please make sure that the Downlight is installed as per instructions. Before pairing,

- Check the Downlight is powered ON and turn ON the Bluetooth of the smart device.
- Have working Remote Control (Optional).

1. Ensure your device is connected to the internet to follow all the steps.
2. Download the HPM Connect App on your device. You can directly go to the store (App Store or Google Play) or scan the QR code given below, which will automatically take you to the download page.



3. Open the HPM Connect App. For new user, sign up for a new account and for an existing user, log-in with your username and password. You can use your email address to register. Verification code will be sent through via an email. Set password, then proceed to open App.
4. Pair your Downlight / Remote Control through Auto scan or add Manually. For **Remote Control pairing**: Enable networking mode on Remote by pressing both **ON & OFF** buttons simultaneously for 5 seconds until the indicator on remote starts to flash. To **Reset existing downlight**: First power ON the downlight then switch ON/OFF 5 times (OFF period should be 1-2 seconds). Then the downlight should starts blinking. If the light does not blink and stays ON, repeat the process.
5. Once the HPM Connect App pairs with the Downlight / Remote Control, you can control the downlight with your device or the Remote Control (Optional).
6. For detailed instructions on how to use the HPM Connect App on your smart device follow the link below or scan the given QR code in section 3. [www.hpm.com.au/product/smart-downlight](http://www.hpm.com.au/product/smart-downlight)

- Note:**
- One Remote control can operate up to 100 lamps, and one HPM smart downlight can be controlled by up to 8 Remote Control units.
  - Unpairing can also be done by deleting Remote Control from HPM Connect App.
  - If only one smart downlight is installed, it can only be operated by one paired smart device at a time. To operate using multiple smart devices you must have multiple smart products.

## 3 Instructions

Scan the QR code given below, which takes you to our website for detailed instructions on how to install the downlights and instructions on how to use the HPM Connect App.



## Product Notes

**1.** This product must be installed and used as per these instructions. **2.** Ensure power is disconnected from 240 V supply wiring before connecting mains cable. **3.** An IP rating of IP44 is generally considered suitable for external walls with supplementary protection such as overhanging eaves. **4.** The IP rating of this product is only valid when installed on a flat and non-porous surface. Additional sealing may be required for irregular surfaces. **5.** This product contains no serviceable parts and no attempt should be made to repair this product. If the product is faulty it should be discarded. **6.** This product is not, suitable for installation in hazardous and/or corrosive areas. **7.** Electrical installations periodically receive transient over voltages. This product has been designed to minimise the effect of such voltages on connected equipment. It may not give full protection for extreme over-voltage transients such as those resulting from a close lightning strike. **8.** This product has been designed to operate in ambient temperatures: -5°C to 25°C, occasionally reaching 35°C. **9.** The material in this product may vary in colour from batch to batch. Colour matching from one batch to another cannot be guaranteed. **10.** It is recommended to install a wall switch per circuit/per room during installation. **11.** To use all functions of this HPM Smart Downlight it is required to have a compatible iOS or Android device installed with HPM Connect App. **12.** This product utilises intellectual property in the form of registered designs, trademarks, and/or patents. Such intellectual property remains the property of Legrand in all cases. **13.** Legrand reserves the right to modify the specification of this product at any time. **14.** The privacy policy is available on App store / Play store.

Please note that the terms used in this instruction sheet are trademarks.

1. The Bluetooth word is registered trademark owned by Bluetooth SIG, Inc. 2. iOS is a trademark or registered trademark of Cisco. 3. Android is a trademark of Google, Inc.

### Warranty

Legrand warrants this product for a period of 3 years from the date of purchase. These goods come with guarantees that cannot be excluded under the Australian and New Zealand Consumer Laws. You are entitled to a replacement or a refund for a major failure and for compensation for any other reasonably foreseeable loss or damage. You are also entitled to have the goods repaired if the goods fail to be of acceptable quality and the failure does not amount to a major failure. See the Warranty card enclosed with this product for further details.

### Customer Service

For all Customer Service and Technical Support please call Monday to Friday during business hours.

Legrand Australia  
1300 369 777  
[www.hpm.com.au](http://www.hpm.com.au)  
ABN: 31 000 102 661

Legrand New Zealand  
0800 476 009  
[www.hpm.co.nz](http://www.hpm.co.nz)



arl.org.au  
LE11479AC

09/20201